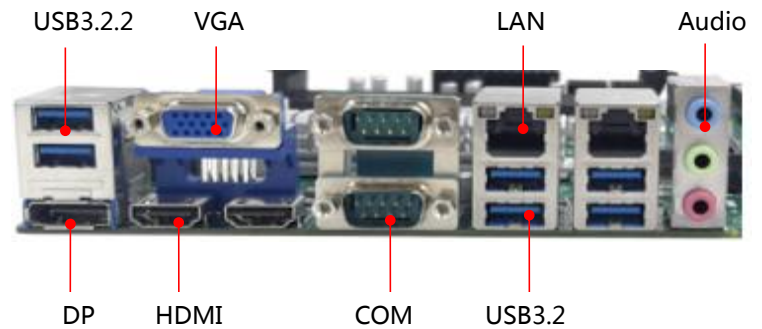
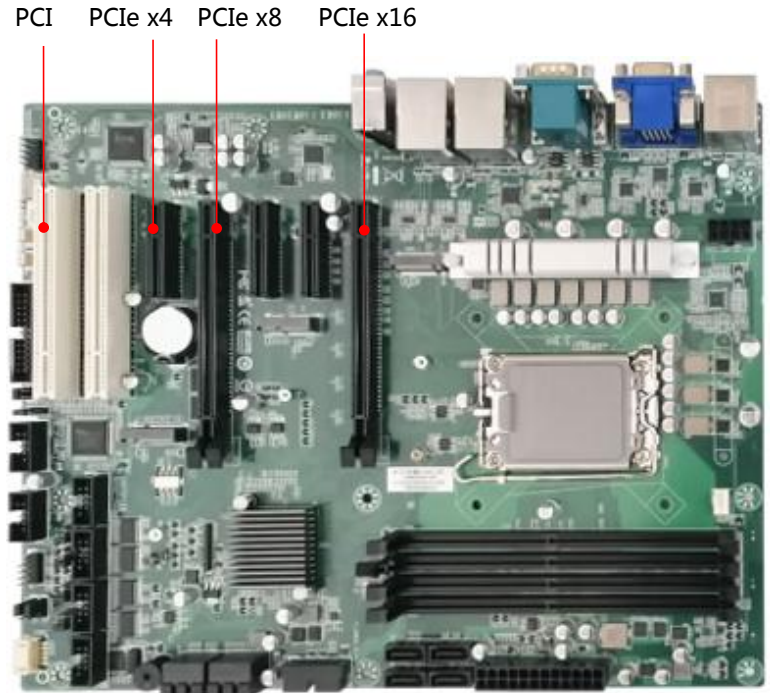


SYM86903VGGA-W680

Intel W680 ATX Support 12~14th Intel Core i3/i5/i7/i9 Processor w/2HDMI/VGA/DP/2GbE/6COM/12USB/HDA

Specification

Processor	CPU	12/13/14 th Intel Core i3/i5/i7/i9 Processor(125W)
	Socket	LGA1700
	Chipset	Intel W680 PCH
	BIOS	AMI UEFI
DRAM	Technology	4 x DDR4-3200MHz Support ECC
	Capacity	128GB
	Socket	4 x 288-Pin DIMM
Display	Graphics	Intel HD Graphics
	Graphics Memory	Share System memory up to 1.7GB SDRAM
	VGA	1, Up to 1920 x 1200@60Hz
	HDMI	2, Up to 4096 x 2160@60Hz
	DP	1, Up to 7680 x 4320@60Hz
Mult-Display	4 independent displays	
LAN	2 x Intel GbE (i226-LM + i226-V)	
Audio	Realtek ALC897 w/Line-Out&Line-In & MIC	
Watchdog	Programmable from 1 to 255 Sec	
Storage	SATA	8 x SATA3.0
	M.2	M.2 Key-M (2242/2280 PCIe x4)
		M.2 Key-B (3042/3052 PCIe+USB)
		M.2 Key-E (2230 PCIe+USB2.0)
RAID	RAID 0/1/5/10	
I/O	Serial	6 x RS232 (COM1/2 for RS232/485/422)
	USB	8 x USB3.2 (6 x Gen2+2 x Gen1) 4 x USB2.0
	GPIO	4 - In , 4 - Out
	PS/2	N/A
	TPM	2.0
Expansion Slot	PCIe x16	2 x PCIe x16 4.0 (PCIe x16 slot) (1 x16 signal or 2 x8 signals)
	PCIe x4	3 x PCIe x4 4.0 (PCIe x4 slot)
	PCI	2
OS	Windows 10 /11 、 Linux	
Power	Type	ATX
Form Factor	305mm x 244mm	
Environment	Operation Temp & Humidity	-10~60°C/10~90% Non-condensing
	Storage Temp & Humidity	-20~80°C/10~90% Non-condensing
	Certification	EMC



Packing List

P/N	Spec.
920312322	2pcs x SATA Cable
920700000	1pcs x USB Cable

Ordering Information

P/N	158690303
Model	SYM86903VGGA-W680
Spec.	Intel W680 ATX support 12~14 th Intel Core i3/i5/i7/i9, w/HDMI/DVI-D/2DP/2GbE/6COM/12USB/HDA