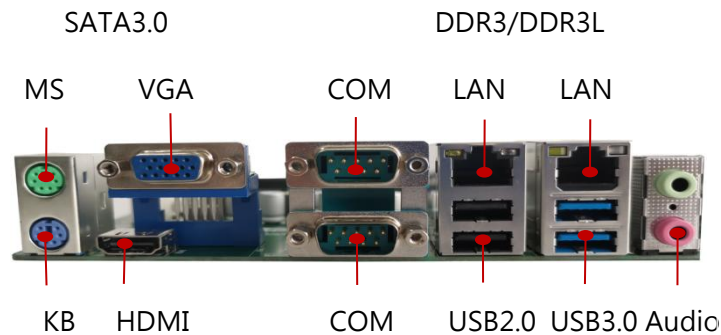
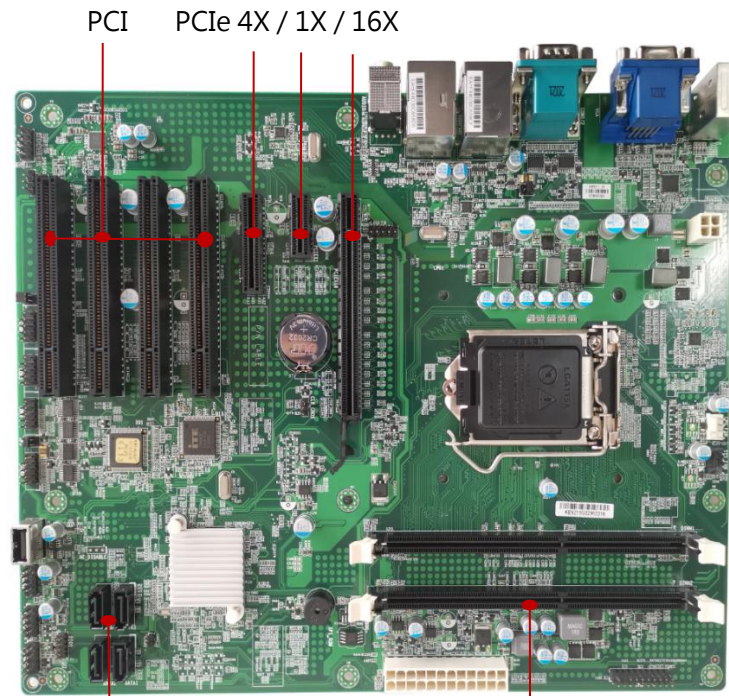


Intel H81 ATX Support 4th Intel Core i3/i5/i7/Pentium/Celeron Processor w/VGA/HDMI/2GbE/6COM/9USB/HD Audio

Specification

Processor	CPU	4 th Intel Core i3/i5/i7/Pentium/Celeron	
	Socket	LGA1150	
	Chipset	Intel H81 PCH	
	BIOS	AMI UEFI	
DRAM	Technology	DDR3/DDR3L 1600/1333MHz	
	Capacity	Up to 16GB	
	Socket	2 x 240-Pin DIMM	
	Graphics	Intel HD Graphics supports DX11.1 & OpenCL1.2	
Display	Graphics Memory	Share System memory up to 1.7GB SDRAM	
	VGA	1 x VGA , Up to 1920 x1200@60Hz	
	HDMI	1 x HDMI , Up to 4096x2160@24Hz	
	Mult-Display	2 Independent displays	
LAN	2 x Realtek RTL8111G LAN		
Audio	Realtek ALC269VC with Line-out /Mic/Line-in		
Watchdog	Programmable from 1 to 255 Sec		
Storage	SATA	4 x SATA3.0	
	mSATA	N/A	
	RAID	N/A	
I/O	Serial	6 x RS232(COM6 supports RS485)	
	LPT	N/A	
	USB	2 x USB3.0 + 7 x USB2.0	
	GPIO	4-In , 4-Out	
	PS/MS	1	
	TPM	1	
Expansion Slot	PCIe 16X	1 (Ver: 3.0)	
	PCIe 4X	1 (Ver: 2.0)	
	PCIe 1X	1 (Ver: 2.3)	
	PCI	4	
Power	ATX		
Form Factor	304mm x 244mm (ATX)		
Environment	Operation Temp & Humidity	-10~60°C/10~90%, Non-condensing	
	Storage Temp & Humidity	-20~80°C/10~90%, Non-condensing	
Certification	EMC	CE / FCC	
O.S	Windows XP Pro/Windows 7 32/64-Bit Windows 8.1 64-Bit/Windows 2008 R2/ Linux (Kernel 3.0 +)		



Packing list

P/N	Spec.
920312322	1pcs x SATA 180 Cable
920700000	2pcs x PHD Dual-USB Cable
/	1pcs x IO Shield

Ordering Information

P/N	Model	Spec.
158637302	SYM86373VGGA	Intel H81 ATX w/VGA/HDMI/2GbE/HDA/6COM/ 9USB

Processor (Optional)

CPU	i7-4790	i7-4770T	i7-4770	i5-4690	i5-4590	i5-4570T	i5-4460T	i3-4370	i3-4360	i3-4340	i3-4170	G3250	G1840
Speed	3.6GHz	2.5GHz	3.4GHz	3.5GHz	3.3GHz	2.9GHz	1.9GHz	3.8GHz	3.7GHz	3.6GHz	3.7GHz	3.2GHz	2.8GHz
Cache	8M	8M	8M	6M	6M	4M	6M	4M	4M	4M	3M	3M	3M
Core	4C/8T	4C/8T	4C/8T	4C/4T	4C/4T	2C/4T	4C/4T	2C/4T	2C/4T	2C/4T	2C/4T	2C/2T	2C/2T
TPD	84W	45W	84W	84W	84W	35W	35W	54W	54W	54W	54W	52W	52W