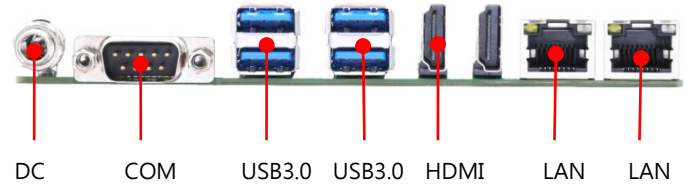
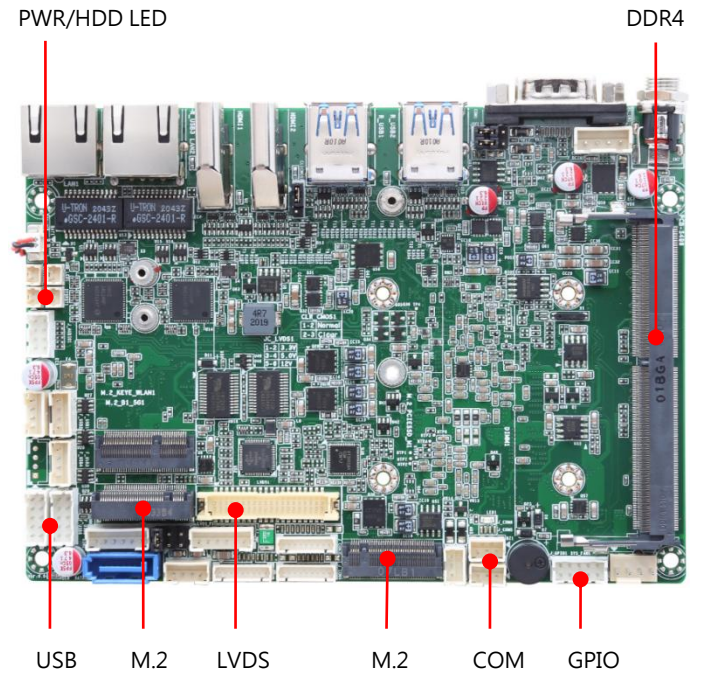


Intel i5-8265U w/2HDMI/LVDS/2GbE/6COM/11USB/3M.2/
HD/Audio/DC12V

Specification

Processor	CPU	Intel core 8 th Gen i5-8265U 1.6GHz /4C/8T/15W BGA1528
	Chipset	SOC
	BIOS	AMI UEFI
DRAM	Technology	DDR4- 2400/2133MHz
	Capacity	Up to 16GB
	Socket	1 x 260-Pin SO-DIMM
Display	Graphics	Intel HD Graphics support DX11.1 和 OpenCL 1.2
	Graphics Memory	Share System memory up to 1.7GB SDRAM
	LVDS	1, Max. resolution:1920x1200@60Hz
	HDMI	2 x HDMI Max. resolution: 4096x2160@30Hz
Multi-Display	3 Independent display	
LAN	2 x Intel GbE Controller (i211-AT+i219-LM)	
Audio	Realtek ALC897 support Line-Out /Mic/Line-in	
Watchdog	Software Programming 1~255s System Reset	
Storage	SATA	1 x SATA3.0
	M.2(Key-M)	1 (PCIe/SATA 2242/2280)
	RAID	N/A
I/O	Serial Port	6 x RS232 (COM6 support RS232/485)
	USB	4 x USB3.0 + 7 x USB2.0
	GPIO	4-In , 4-Out (5V/GND)
	PS/2	N/A
	TPM	Yes(built-in)
Expansion Slot	M.2(Key-B)	4G+5G (3042/3052)
	M.2(Key-E)	WIFI+BT(2230)
	LED	HDD/PWR
Power	DC 12V	
Form Factor	146mm x 105mm	
Environment	Operation Temp & Humidity	-10~70°C /10~90%,non-condensing
	Storage Temp & Humidity	-20~80°C /10~90%,non-condensing
Certification	EMC	CE / FCC
O.S	Whiskey Lake: Windows 10 64bit/Linux (Kernel 4.X)	



Packing List

P/N	Spec.
/	SATA power cable & data cable
/	3PCS x COM cable

Ordering Information

P/N	128F60001
Model	SYS8F600VGA-8265U
Spec.	Intel i5-8265U, w/2HDMI/LVDS/2GbE/6COM/11USB/3M.2/HDA/DC12V