

Features

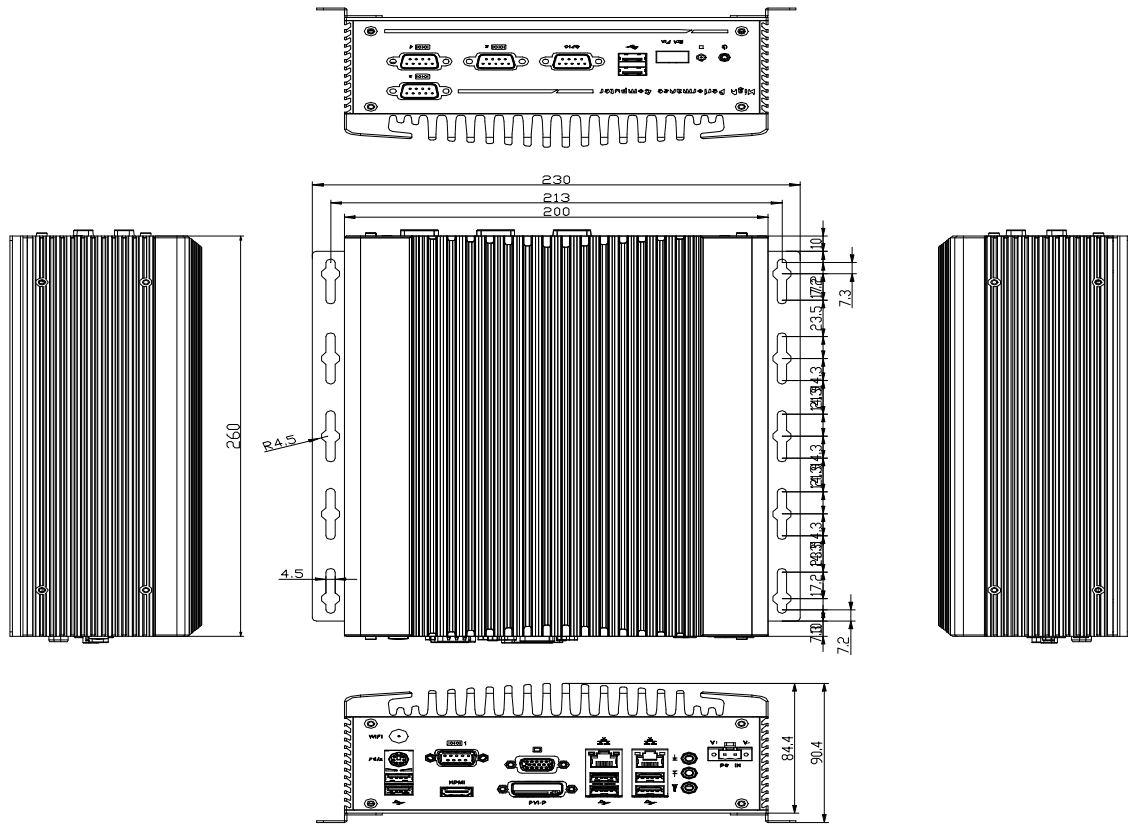
- Intel Core i3/i5/i7/Celeron Processor in rPGA-988 (SocketG2)
- Supports DDR3/DDR3L Memory up to 16GB
- Supports Mini PCIe SATA (Optional 2.5" mechanical Hard Disk)
- VGA/HDMI/DVI/2GbE/8USB/4COM/GPIO/Audio/PS/2
- Supports Mini PCIe expansion (Optional WIFI)
- Built-in 1 x USB watchdog position



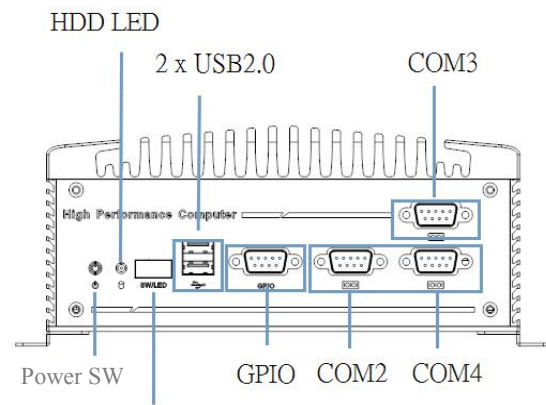
Specifications

Processor	CPU	Support Socket G2 RPGA988 for: - 3rd Generation & 2nd Generation Intel Core processors
	CPU Speed	Optional
	Power consumption	TDP=35W
Memory	Technology	DDR3/DDR3L 1066/1333/1600MHz
	Memory capacity	Optional (Install mSATA up to 16GB; Install 2.5" HDD, up to 8GB)
Storage	SATA	1 x 2.5" Hard Disk (Optional)
	mSATA	1 x mSATA (Full-size, Optional)
Graphics	Graphics	Intel HD Graphics
Front I/O	Power/LED	1 x Power SW with LED; 1 x HDD LED; 1 x Extending Power SW ; 1 x Extending Power LED
	COM	3 x COM
	GPIO	1 x GPIO
	USB	2 x USB2.0
Rear I/O	Power supply	1 x DC 12V IN
	Display interface	1 x VGA, 1 x HDMI, 1x DVI-D
	LAN	2 x Intel Gigabit LAN (82579LM+82583V)
	USB	4 x USB2.0, 2 x USB3.0
	COM	1 x COM (Optional RS232/422/485)
	Keyboard mouse	1 x PS/2
	Audio	1 x Line-IN/Line-Out/MIC
	WIFI	Optional
Adapter	Power in put	AC 100~240V/1.5A 50/60MHz
	Power out put	DC 12V/7A
Expansion	Mini PCIe	1 x Mini PCIe (full-size)
Size	W: 200mm D: 260mm H:84.4mm	
Environment	Operating temperature:	0°C ~ 60°C /10~95%,non-condensing
	Storage temperature	-10°C ~ 70°C /10~95%,non-condensing

■ Dimensions

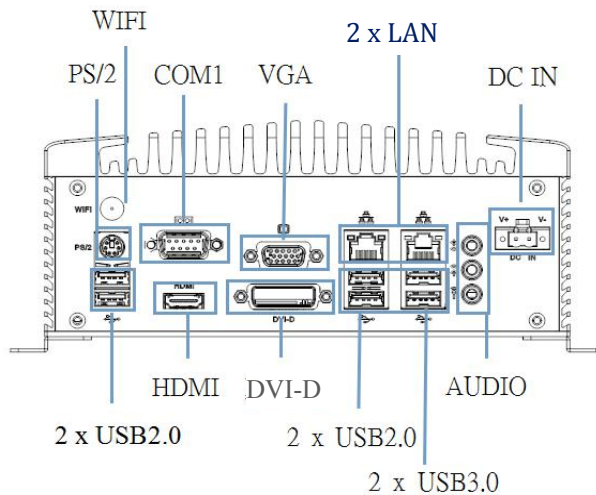


■ Front View



Extending Power SW and Power LED
SW- 、 SW+ 、 LED- 、 LED+

■ Rear View



■ Ordering Information

P/N	Model	Description
186366003	UFO6366H-989QM	Intel Core i3/i5/i7 Embedded Fanless System, w/84W Power adapter/VGA/DVI/HDMI/2GbE/4COM/2USB3.0/6USB2.0/DC 12V
976366022	2.5 inch Hard Disk bracket(optional)	w/4 x Aseismatic Rubber Mat/4 x M3*11 Screw/SATA Data Cable