

## Features

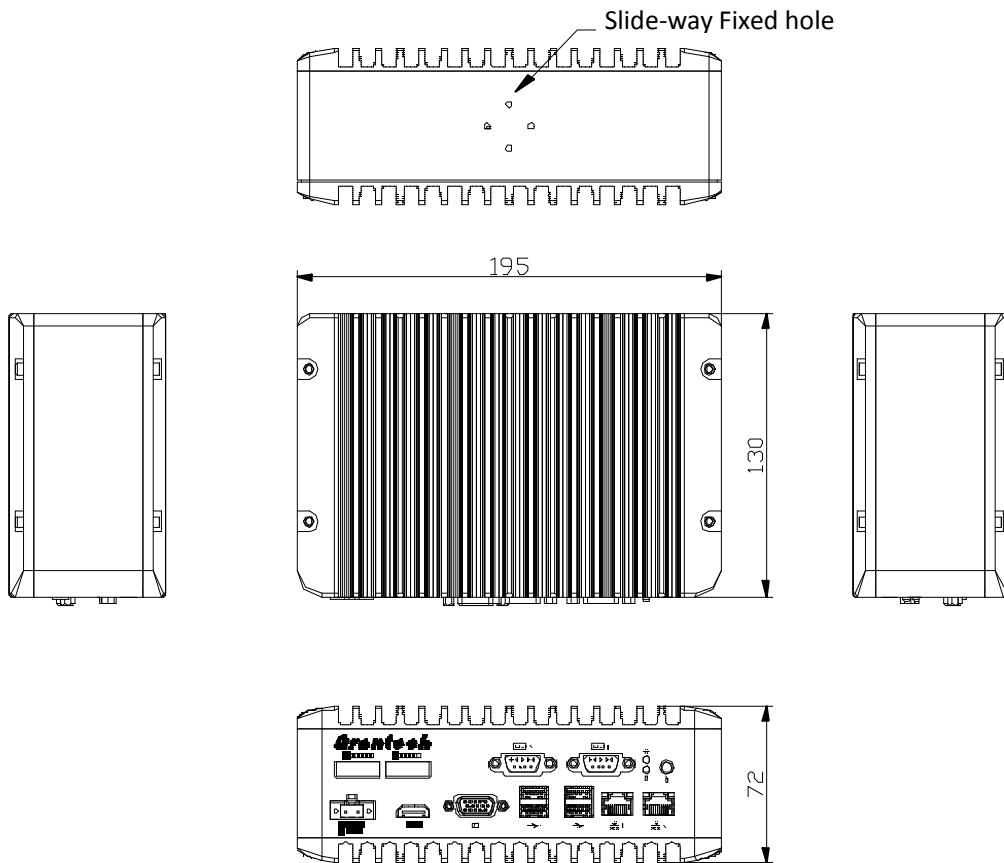
- Intel N3160 Fanless Machine Vision Computer
- Onboard 4GB DDR3L SO-DIMM
- Isolation GPIO controller
- VGA/HDMI, Dual display
- 4 x USB3.0 , Dual channel design
- 2 x Intel GbE LAN
- DC9~24V input
- -10°C ~60°C stable operation
- Vertical/side-vertical wall-mounting installation



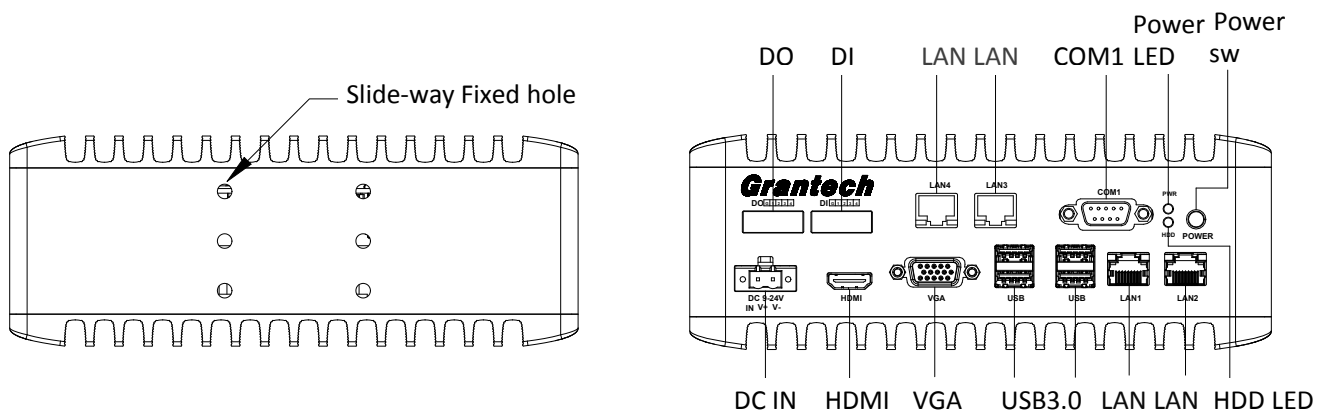
## Specifications

|             |                        |  |
|-------------|------------------------|--|
| Processor   | CPU                    | Onboard Intel N3160 (2M Cache, up to 2.24 GHz) |
|             | Frequency              | 1.6GHz , Turbo Frequency 2.24GHz               |
|             | Power consumption      | 6W   |
| Memory      | Technology             | Onboard DDR3L 1600MHz 4GB DRAM                 |
|             | Memory capacity        | 4GB  |
| Storage     | mSATA                  | 1 x mSATA ( Full-size, Optional )              |
| Graphics    | Graphics               | Intel HD Graphics                              |
| Rear I/O    | Power/LED              | 1 x Power SW ; 1 x Power LED; 1 x HDD LED      |
|             | Power                  | 1 x DC 9~24V IN                                |
|             | Display                | 1 x VGA; 1 x HDMI                              |
|             | COM                    | 2 x COM(COM1: RS232/422/485)                   |
|             | LAN                    | 2 x Intel Gigabit LAN                          |
|             | USB                    | 4 x USB3.0                                     |
|             | GPIO                   | 4-In, 4-Out ( Isolation )                      |
| Adapter     | Power input            | AC 100~240V/1.5A 50/60Hz                       |
|             | Power output           | DC 12V/5A                                      |
| Expansion   | Mini PCIe              | 1 x Mini PCIe ( Full-size))                    |
| Size        | W:195mm D:130mm H:72mm |  |
| Environment | Operating temperature  | -10~70°C /10~90%, non-condensing               |
|             | Storage temperature    | -20~80°C /10~90%, non-condensing               |

## ■ Dimensions



## ■ I/O View



## ■ Ordering Information

| P/N       | Model         | Description   |
|-----------|---------------|---|
| 186355009 | UFO6355V-MV2L | Atom 5th Gen N3160 Fanless Machine Vision Computer · w/60W Power Adaptor/2COM/VGA/HDMI/2GbE/GPIO/4USB3.0/Onboard 4GB DRAM |