

Features

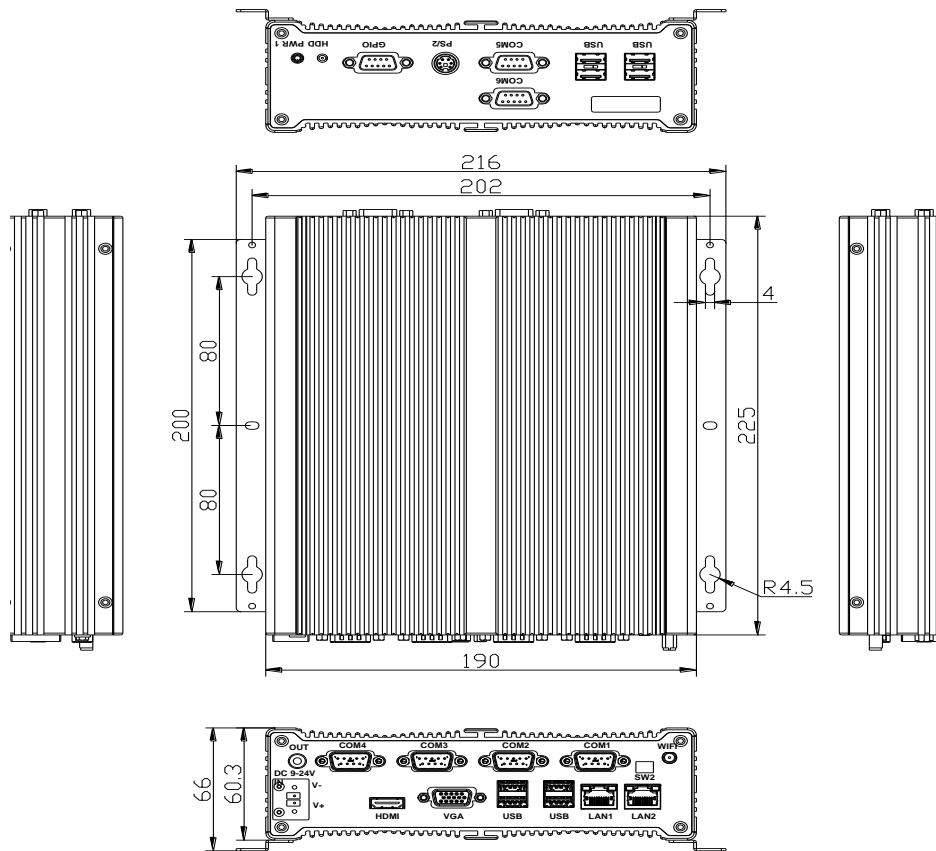
- Intel N3160 Fanless Embedded PC
- Onboard DDR3L 4GB DRAM
- Supports VGA/HDMI, Dual display
- Built-in 1 x USB watchdog position
- Internal modular design
- Dual Intel GbE LAN
- DC 9-24V input
- -10°C ~70°C stable operation



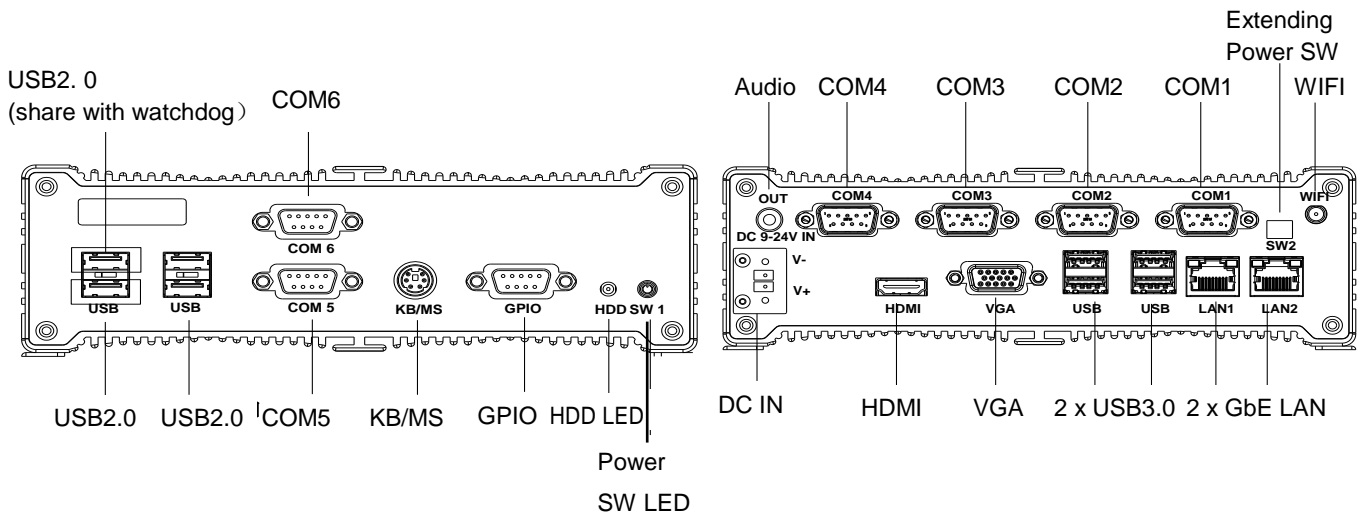
Specifications

Processor	CPU	Onboard Intel N3160 (2M Cache, up to 2.24 GHz)
	Frequency	1.6GHz
	TDP	6W
Memory	Frequency	Onboard DDR3L 1600MHz 4GB DRAM
	Capacity	4GB
Storage	SATA	1 x 2.5 " Hard Disk Drive Bay
	mSATA	1 x mSATA (Full-size, Optional)
Display	Graphics	Intel HD Graphics
Front I/O	Button/LED	1 x Power LED; 1 x HDD LED
	Serial	2 x COM
	GPIO	1 x GPIO
	USB	3 x USB2.0 (one built-in watchdog position)
	PS/2	1 x PS/2
Rear I/O	Power In Connector	1 x DC 9~24V IN
	Display Port	1 x VGA ; 1 x HDMI
	Serial	4 x COM (COM1 supports RS232/422/485)
	Power SW	1 x Extending Power SW
	LAN	2 x Intel Gigabit LAN
	USB	4 x USB3.0 (dual)
	Audio	1 x Line-Out
	WIFI	Optional
Power Adaptor	Power in put	AC 100~240V/1.5A 50/60MHz
	Power out put	DC 12V/5A
Expansion	Mini PCIe	1 x Mini PCIe (Full-size)
Dimensions	W:190mm D:225mm H:60.3mm	
Environment	Operating temperature	0°C ~ 60°C /10~95%, non-condensing
	Storage temperature	-10°C ~ 70°C /10~95%, non-condensing

■ Dimensions



■ I/O View



■ Ordering Information

P/N	Model	Description
186355014	UFO6355N-N3160	Atom 5th Gen N3160 Fanless Embedded PC , w/onboard 4GB DRAM/ VGA/HDMI/2GbE /6COM/4USB3.0/3USB2.0/DC9~24V