

## Features

- Core 8<sup>th</sup> Gen Fanless Embedded PC
- Onboard i5-8265U CPU(4C/8T/15W)
- Supports 1 x SO-DIMM DDR4 1866/2133/2400MHz DRAM
- Dual Intel GbE LAN/2HDMI/6COM/6USB/L-OUT
- Supports one external power switch port
- Dual WIFI ports
- Built-in one USB2.0 dongle interface inside
- DC 12V input

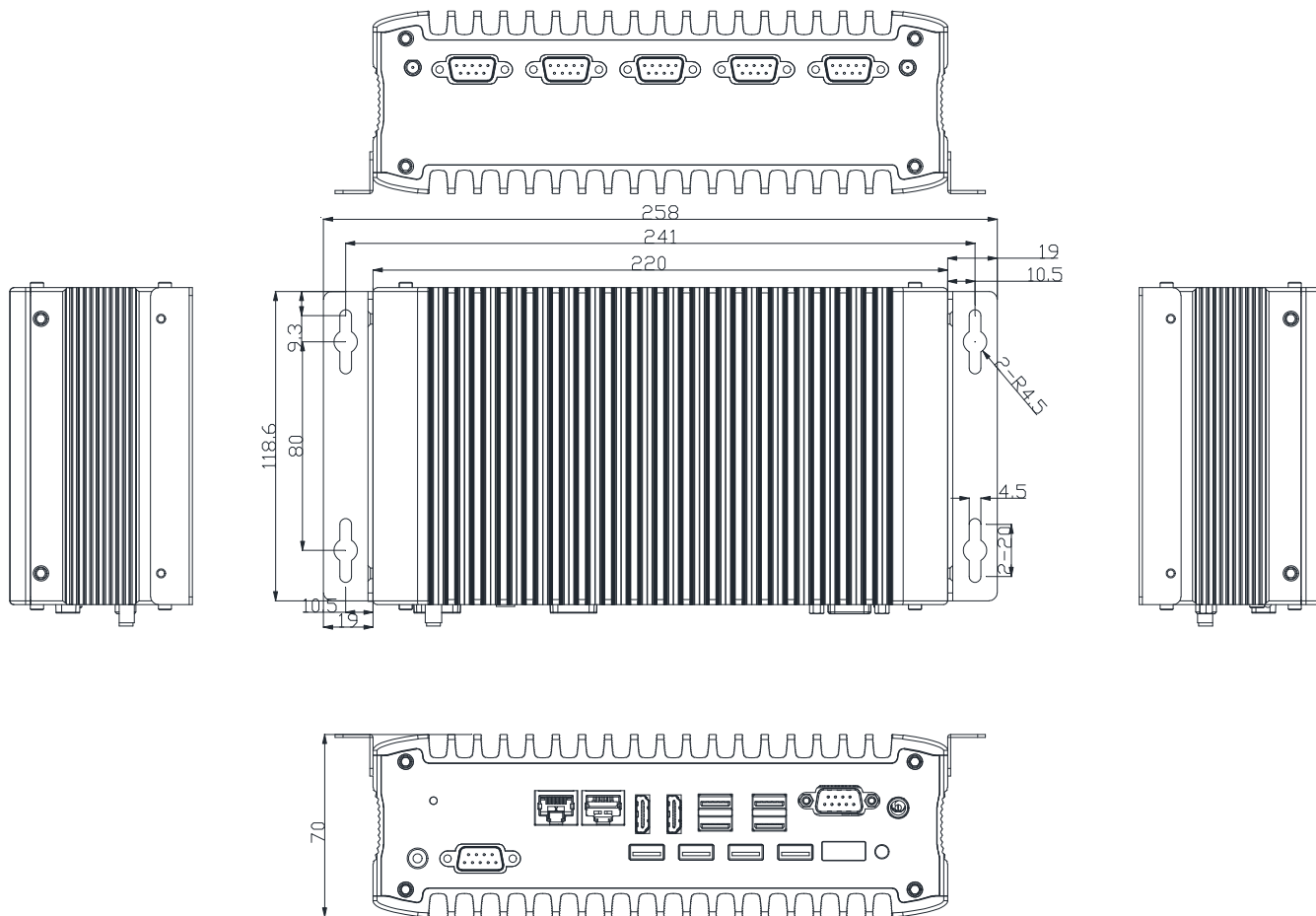


## Specifications

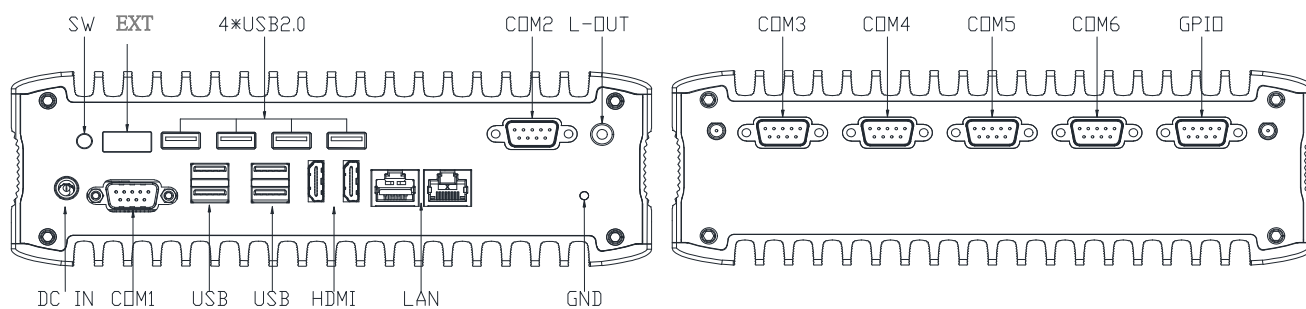
Processor	CPU	Onboard i5-8265U CPU(4C/8T)
	Frequency	1.6GHz up to 3.9GHz
	Power consumption	15W
Memory	Technology	1 x SO-DIMM DDR4 1866/2133/2400MHz
	Memory capacity	Option, up to 16GB
Storage	SATA	1 x 2.5" SATA
	M.2	1 x M.2 (NGFF) Key-M/B Slot (PCIe x4 NVMe/ SATA SSD, 2242/2280)
Graphics	Graphics	Intel UHD Graphics for 8th Generation Intel processors
Front I/O	COM	4 x COM(COM5&6 incomplete signal, COM6 can be set to RS232/485)
	GPIO	1 x GPIO
	WIFI	2 x WIFI ports ( with M.2 WIFI module )
Rear I/O	Power/LED	1 x Power SW with LED 1 x external power SW with LED
	Power supply	1 x DC12V input
	Display	2 x HDMI
	COM	2 x COM (COM2 can be set to RS232/422/485)
	LAN	2 x Intel Gigabit LAN ( i211-AT +i219-LM)
	USB	4 x USB2.0 ; 4 x USB3.0
	Audio	1 x L_OUT
	GND	1 x GND
Adapter	Power input	AC 100~240V/1.5A 50/60Hz
	Power output	DC 12V/5A
Expansion	M.2	1 x M.2 (NGFF) Key-B Slot (3042/3052, PCIe + USB3.0(Premium-U) + USB2.0, support 4G/5G, with 1 * SIM Card Header) 1 x M.2 (NGFF) Key-E Slot (PCIe+USB2.0, WIFI+BT, 2230)
	Size	W:220mm D:121.6mm H:70mm
Environment	Operating temp& Humidity	-20~80°C /10~90%, non-condensing
	Storage temp& Humidity	-20~80°C /10~90%, non-condensing

## ■ Dimensions

Intel Core 8<sup>th</sup> Gen i5-8265U Fanless Box PC



## ■ I/O View



## ■ Ordering Information

P/N	Model	Description
186355062	UF06355N-8265U	Core 8 <sup>th</sup> Gen i5-8265U Fanless Embedded PC w/60W adapter/6COM/2HDMI/4USB2.0/4USB3.0/2LAN
976355034	2.5"Hard Disk bracket	w/4 x Aseismic Rubber Mat/4 x M3*11 Screw/SATA power Cable/SATA Data Cable