

■ Features

- High efficiency · low consumption Embedded Fanless Panel PC
- IP65-compliant front panel protection
- Rich IO interface: 6COM/2LAN/4USB//HDMI/GPIO
- Supports M.2 Disk, with 2.5" Shockproof hard disk rack
- Supports WIFI function
- Supports VESA and Wallmount
- Supports Embedded operating system
- Supports flexible customization services

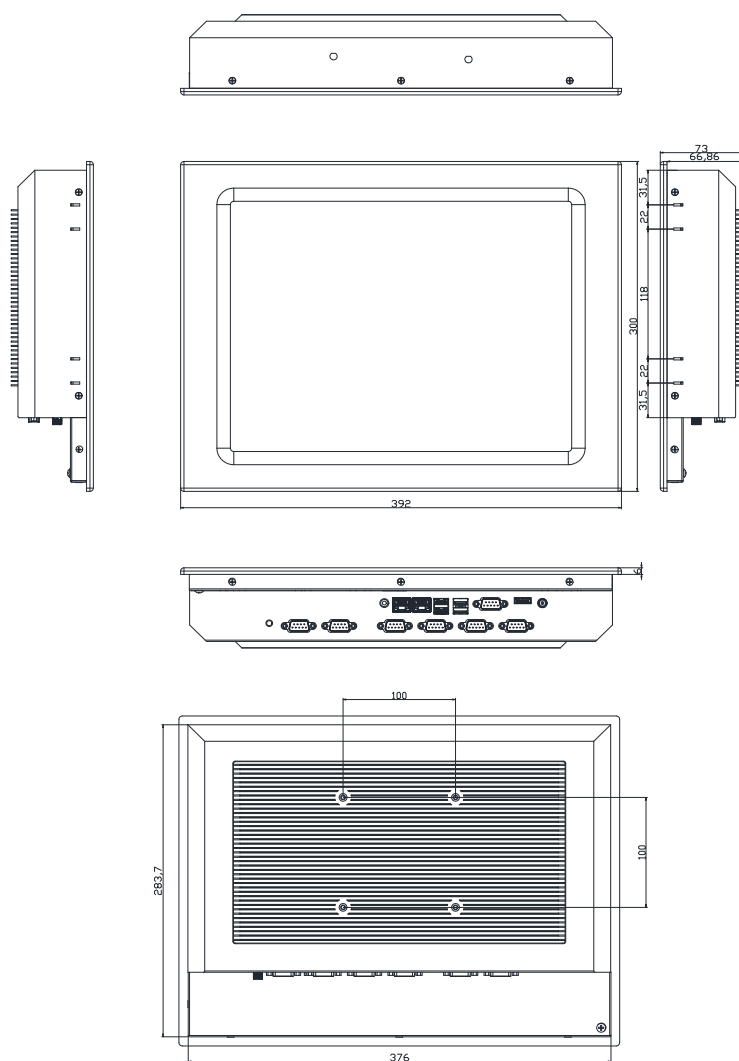


■ Specifications

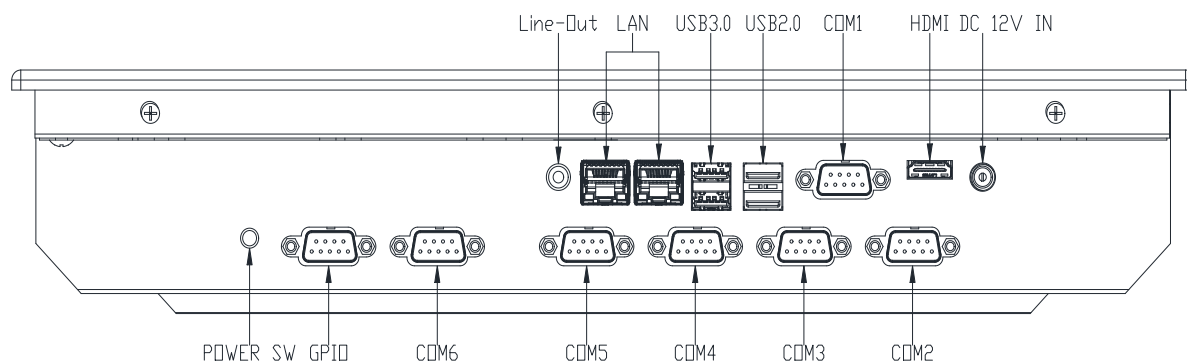
Processor	CPU	J6412 (Elkhart Lake)
	Chipset	2.0G/4C/4T
	Consumption	10W
Memory	Frequency / Capacity	2 x DDR4 3200MHz; up to 32GB
Storage	SATA	1 x 2.5" SATA3.0 Hard Disk
	M.2	1 x M.2 key B type 2242 with PCIe (with PCIe x2) + SATA3.0
Display	Display	Intel UHD Graphics for 10th Gen Intel Processors
Screen	LCD Size/Display Type	15" XGA LCD
	Resolution	1024×768
	Display Color	16.7M
	Viewing Angle	85/85/85/85
	Brightness	350cd/m ²
	Contrast	1500 : 1
	Touch Screen	Five-wire resistive touch screen
Rear I/O	Power Input	1 x DC 12V IN
	PWR SW	1 x POWER SW
	Display Ports	1 x HDMI
	COM Ports	6 x COM (COM1 for RS232/485/422)
	LAN Ports	2 x RTL8111H-CG LAN (LAN:10/100/1000Mbps Gigabit LAN)
	USB	2 x USB2.0; 2 x USB3.0 (internal reserved a USB2.0 watchdog position)
	GPIO	4IN & 4OUT
	Audio	1 x Line-Out
Adapter 60W	WIFI	2 x WIFI (extended by Mini PCIe wireless module)
	Input	AC 100~240V/1.5A 50/60Hz
Expansion	Output	DC 12V/5A
	Mini PCIe	1 x Mini PCIe (full-size)
Dimensions	W:392mm D:300mm H:73mm	
Environment	Operation Temp & Humidity	-10~60°C/10~90%, Non-condensing
	Storage Temp & Humidity	-20~70°C/10~90%, Non-condensing

■ Dimensions

Intel Elkhart Lake 15" Embedded Fanless Panel



■ I/O Appearance



■ Ordering Information

P/N	Model	Description
226315059	PAD6315-J6412	15" Embedded Fanless Panel PC, w/J6412/6COM/2USB2.0/2USB3.0/GPIO /1024 x 768/resistive touch screen /60W adapter