

## ■ Features

- High efficiency · low consumption Embedded Fanless Panel PC
- IP65-compliant front panel protection
- Rich IO interface: 6COM/2LAN/4USB//HDMI/GPIO
- Supports M.2 Disk, with 2.5" Shockproof hard disk rack
- Supports WIFI function
- Supports VESA and Wallmount
- Supports Embedded operating system
- Supports flexible customization services

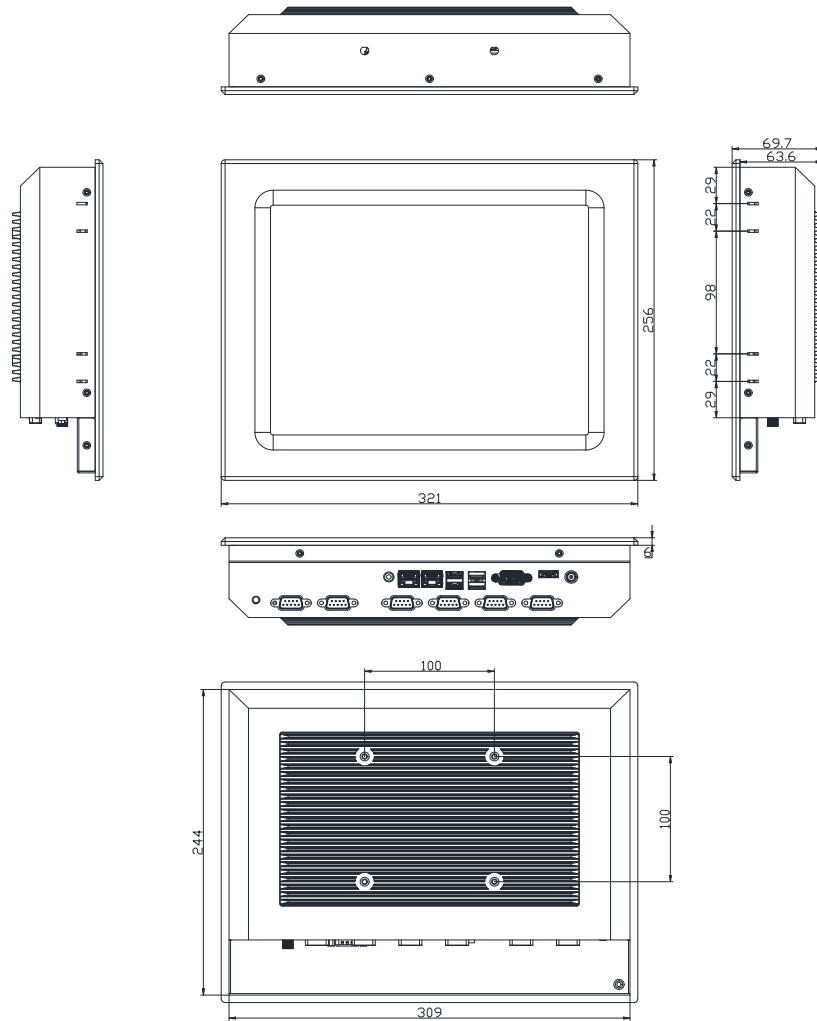


## ■ Specifications

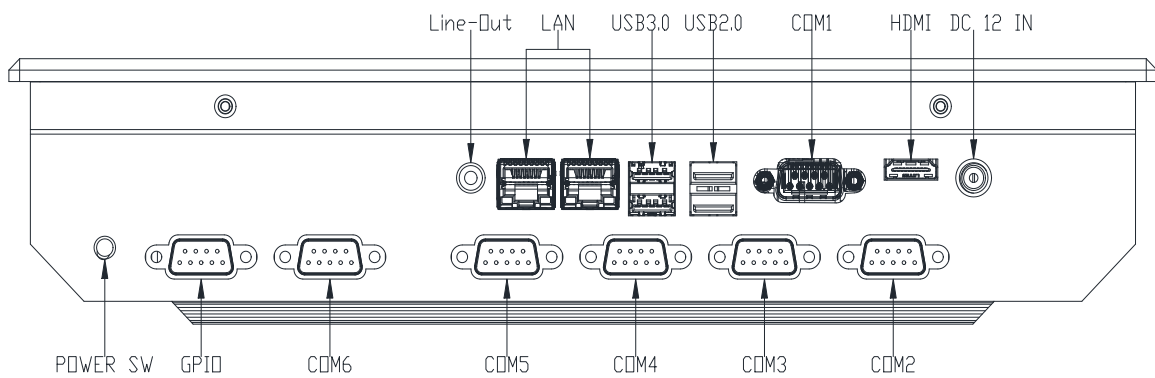
Processor	CPU	J6412 ( Elkhart Lake )
	Chipset	2.0G/4C/4T
	Consumption	10W
Memory	Frequency / Capacity	2 x DDR4 3200MHz; up to 32GB
Storage	SATA	1 x 2.5' SATA3.0 Hard Disk ( with Shockproof hard disk rack )
	M.2	1 x M.2 key B type 2242 with PCIe ( with PCIex2 ) + SATA3.0
Display	Display	Intel UHD Graphics for 10th Gen Intel® Processors
Screen	LCD Size/Display Type	12 寸 XGA LCD
	Resolution	1024 × 768
	Display Color	262K
	Viewing Angle	85/85/60/75
	Brightness	380cd/m <sup>2</sup>
	Contrast	600 : 1
	Touch Screen	Five-wire resistive touch screen
Rear I/O	Power Input	1 x DC 12V IN
	PWR SW	1 x POWER SW
	Display Ports	1 x HDMI
	COM Ports	6 x COM ( COM1for RS232/485/422 )
	LAN Ports	2 x RTL8111H-CG LAN ( LAN: 10/100/1000Mbps Gigabit LAN )
	USB	2 x USB2.0; 2 x USB3.0 ( internal reserved a USB2.0 watchdog position )
	GPIO	4IN & 4OUT
	Audio	1 x Line-Out
	WIFI	2 x WIFI (extended by Mini PCIe wireless module)
Adapter 60W	Input	AC 100~240V/1.5A 50/60Hz
	Output	DC 12V/5A
Expansion	Mini PCIe	1 x Mini PCIe (full-size)
Dimensions	W: 321mm D: 256mm H: 69.7mm	
Environment	Operation Temp & Humidity	-10~60°C/10~90%, Non-condensing
	Storage Temp & Humidity	-20~70°C/10~90%, Non-condensing

## ■ Dimensions

Intel Elkhart Lake 12" Embedded Fanless Panel PC



## ■ I/O Appearance



## ■ Ordering Information

P/N	Model	Description
226312033	PAD6312-J6412	12" Embedded Fanless Panel PC, w/J6412/6COM/4USB/1024*768/resistive touch screen