

Features

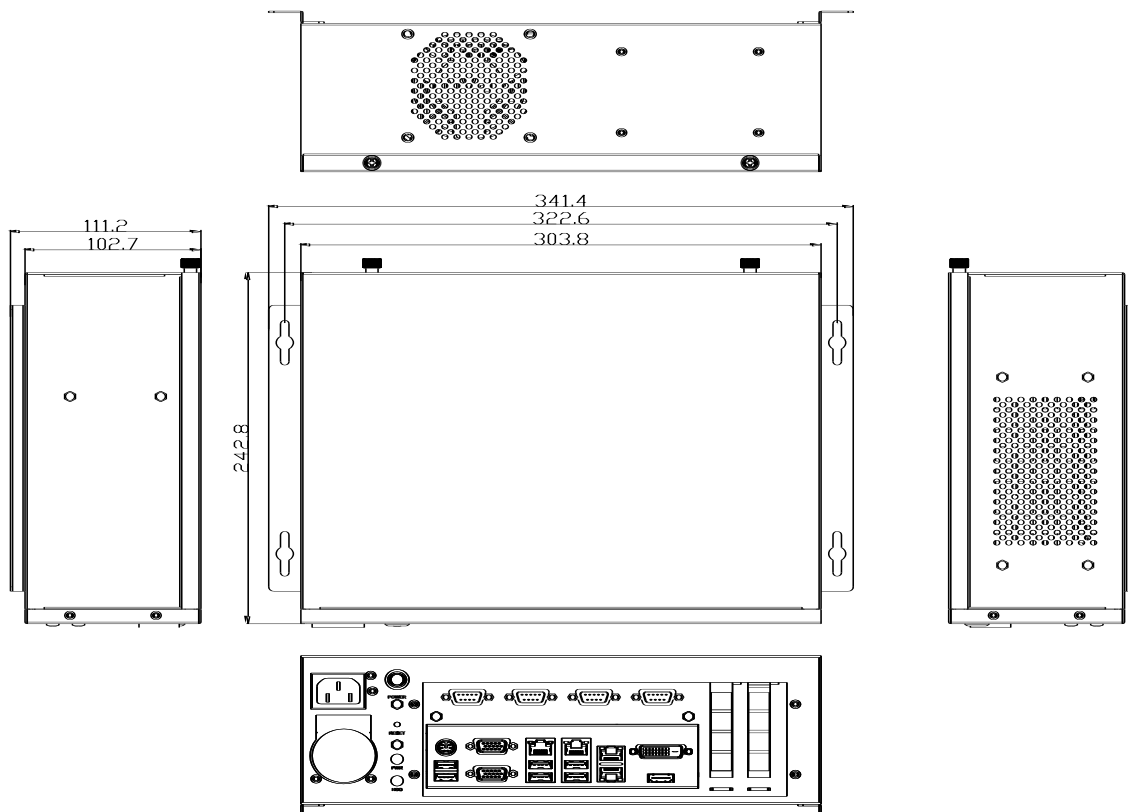
- All I/O interfaces in one-side
- Anti-shedding air filter, Fixation by hand, easy to maintain
- Removable I/O rear window , Optional all-in-one I/O panel
- Support 2VGA/HDMI/DVI-D
- 8 x Intel GbE LAN (Optional 4GbE)
- 6 x USB, built-in 2 x USB watchdog positions
- EXT socket design, The power switch and the power LED can be connected to the cabinet , easy operation
- Support two half-size expansion slots (one for expanding 4 GbE)



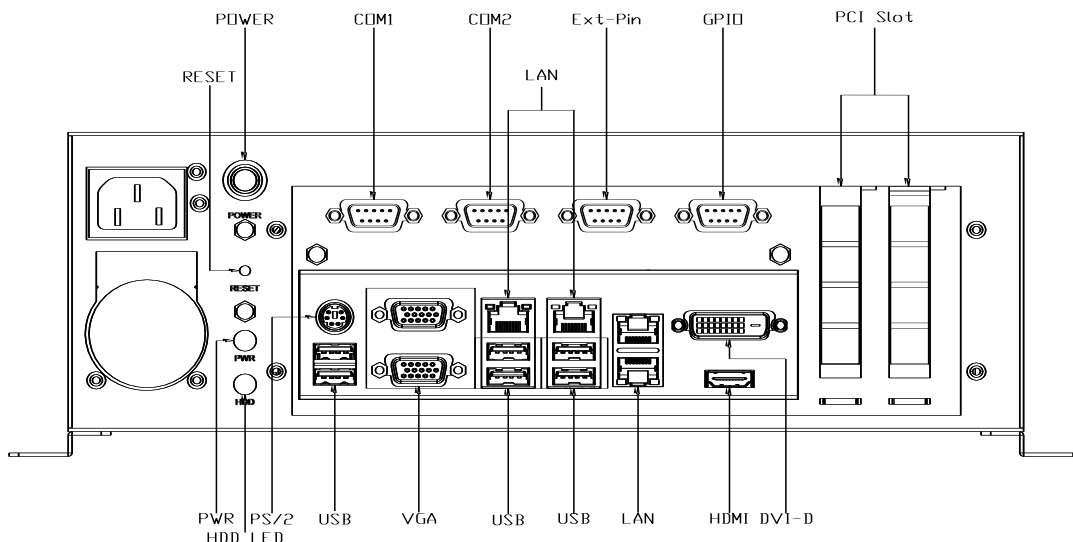
Specifications

Processor	CPU	4th Gen Intel Core i3/i5/i7 Pentium/Celeron CPU
	Power consumption	Optional
Memory	Technology	2 x DDR3/L SO-DIMM, up to 16GB
Storage	SATA	1 x 2.5 " Hard Disk ; 1 x mSATA
Graphics	Graphics	Intel HD Graphics
I/O Interfaces	Power/LED	1 x Power SW ; 1 x Reset SW ; 1 x Power LED ; 1 x HDD LED; 1 x Extending Power SW & Extending Power LED (DB9)
	Power	1 x AC 220V IN
	Display	2 x VGA ; 1 x DVI-D ; 1 x HDMI
	LAN	8 x Intel GbE LAN (optional 4 x Intel GbE LAN)
	USB	4 x USB2.0 ; 2 x USB3.0 (Built-in 2 x USB2.0 watchdog positions)
	COM	2 x COM (RS232/RS485/RS422)
	GPIO	1 x GPIO(DB9, 4-In , 4-Out)
	PS/2	1 x PS/2
Power Supply	Power input	AC 100~240V/1.5A 50/60Hz 180W
	Power output	ATX
Expansions	PCIe	PCIe x 16 (support two half-size expansion slots , one for expanding 4 GbE)
	Mini PCIe	1 x Half size Mini PCIe ; 1 x Full size Mini PCIe (optional mSATA)
Dimensions	W:303.8mm D:242.8mm H:102.7mm	
Environment	Operating temperature & humidity	-10~60°C /10~90%, non-condensing
	Storage temperature & humidity	-20~70°C /10~90%, non-condensing

■ Dimensions



■ I/O View



■ Ordering information

P/N	Model	Description
116055027	GT6055GB-MV8L	Core i3/i5/i7 Machine Vision Computer with cooling fan, 8GbE
116055028	GT6055GB-MV4L	Core i3/i5/i7 Machine Vision Computer with cooling fan, 4GbE